

HOMEVIEW

CABINETRY

PRODUCT SPECIFICATION GUIDE





BEAUTIFUL FUNCTIONAL EASY TO INSTALL

ECO-FRIENDLY

We are committed to environmentally responsible processes that endeavor to preserve the future of our world. HomeView Cabinetry is no exception – manufactured in the US with integrity and craftsmanship.

HomeView Cabinetry
Product Specification Guide
Version: v1.3 // 2021



ANSI/KCMA A161.1



KITCHEN CABINET MANUFACTURERS ASSOCIATION.
ENVIRONMENTAL STEWARDSHIP PROGRAM (ESP).
ALL PRODUCTS IMPACT THE ENVIRONMENT.
FOR ESP PROGRAM CRITERIA, VISIT KCMA.ORG

TABLE OF CONTENTS

04.	PRODUCT SPECIFICATIONS	26.	WALL CABINETS-CONT
06.	CONSTRUCTION		Oven Cabinet Microwave Wall
08.	BASE CABINETS	32.	LINEN CABINETS
	Base	33.	UTILITY CABINETS
	Base Double Door	34.	VANITY CABINETS
	Base Full Height Door / Tray Base		Vanity Base Vanity Drawer Base Vanity Sink Base / Vanity Sink Base Double Door Vanity Sink Drawer Base Combo Vanity Cabinets
	Base Full Height Double Door		
	Drawer Base		
	Sink Base / ADA Compliant Sink Base w/ RF		
	Knee Base / Microwave Base		
	Blind Corner Base		
	Easy Reach Corner Base		
16.	WALL CABINETS	40.	MOLDINGS
	Wall 12" High	42.	ACCESSORIES
	Wall 15" High	47.	MODIFICATIONS
	Wall 18" High	48.	WARRANTY
	Wall 21" High		
	Wall 24" High		
	Wall 30" High		
	Wall 30" High Double Door		
	Wall 39" High		
	Wall 39" High Double Door		
	Blind Wall		
	Wall Diagonal Cabinet		

PRODUCT SPECS

- *Frameless, full access cabinets
- * 5/8" melamine laminate box construction
- * 6-way adjustable, soft close hinges

- * Fully assembled & ready to be installed
- * Color matched molding and trim available
- * KCMA Tested and Certified

CABINET DETAILS

CONSTRUCTION
5/8" furniture board
glued and doweled
construction,
engineered to last

EXTERIOR
Color matched to
door/drawer front color

SHELVES
3/4" particle board
laminated in white
melamine laminate
and edge banded
with white
thermoplastic
edge banding

FRONT EDGE
Thermoplastic edge
banding color matched
to door/drawer front

DRAWER

5-piece drawer box, 1/2" particle board
sides & bottom, 360° wrapped in white melamine
laminate, full extension ball bearing slides

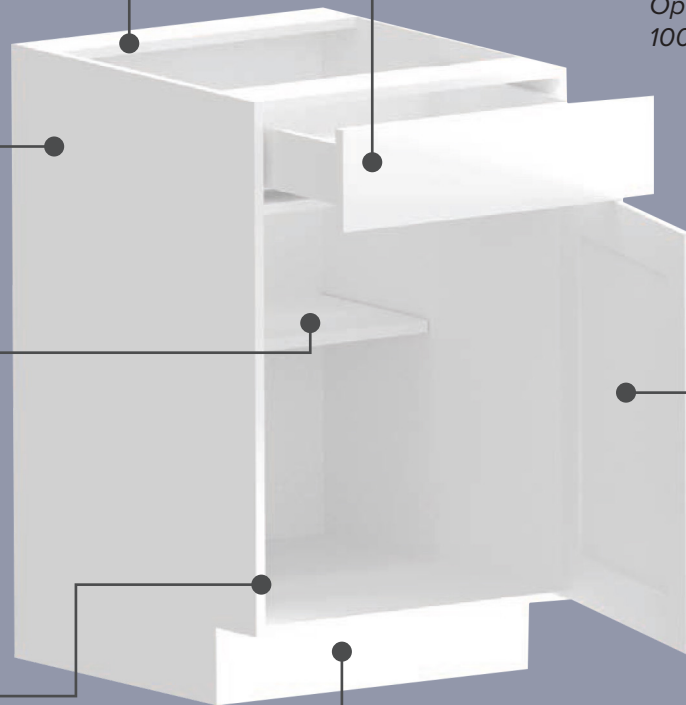
*Optional metabox full extension
100 lb. soft close upgrade*

DOOR

5-piece shaker
construction with
standard soft
close hinges

TOE KICK

Bottom of cabinet sealed from moisture
with thermoplastic edge banding

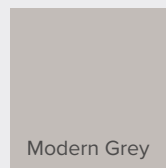
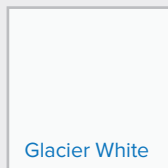




SHAKER DOOR OPTIONS



All doors feature 5-piece shaker construction and are made from MDI MDF substrate, making them moisture resistant and durable. Door and drawer fronts are 360° wrapped with melamine laminate.



Standard Cabinet Dimensions

WALL CABINETS	12" Depth	12" / 15" / 21" / 30" / 39" Height *
BASE CABINETS	24" Depth	34 ½" Height
UTILITY CABINETS	24" Depth	84" / 93" Height
VANITY CABINETS	21" Depth	34 ½" Height
LINEN CABINETS	21" Depth	84" / 93" Height

*** 39 inch wall cabinets** eliminate the need for 36 and 42 inch heights (providing easier ordering and installation). They can be installed in rooms with 8 ft. ceilings and finished with one piece of trim or installed in rooms with 9 ft. ceilings leaving a 12 inch gap to the ceiling.

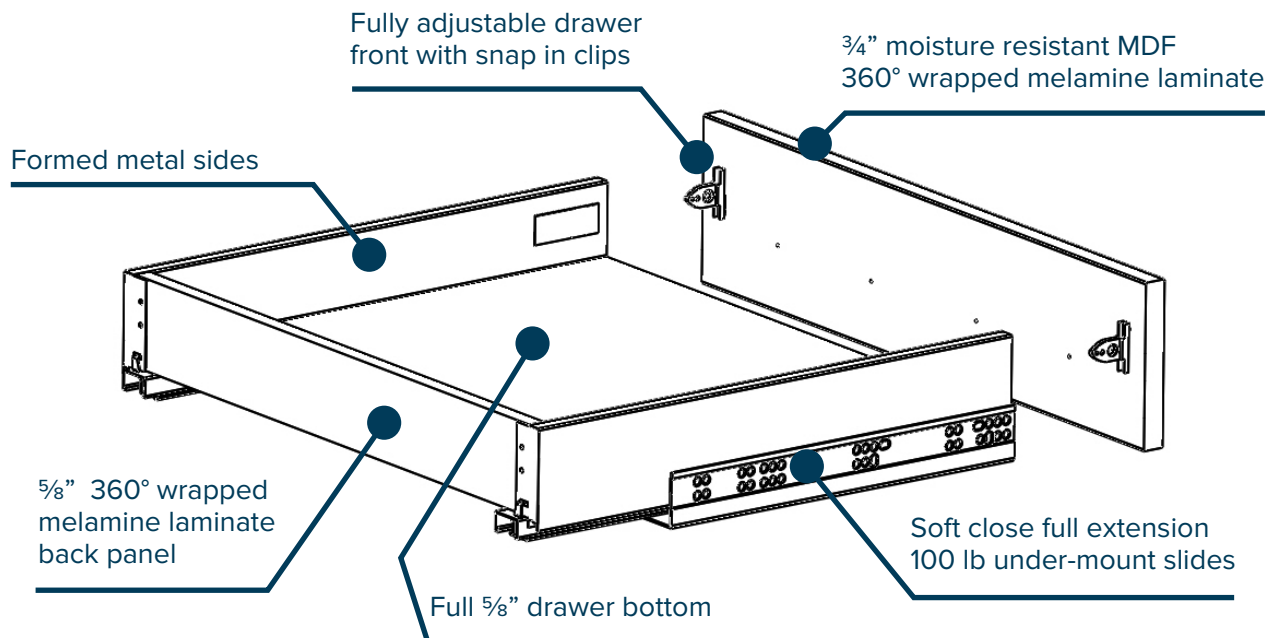
CONSTRUCTION

FRAMELESS CONSTRUCTION

All cabinets are frameless, with full access and full overlay styling. Panels and rail components are joined with engineered dowels, glue, screws or a combination of those components appropriate to the typical use of the cabinet. All frameless case construction is made from commercial grade furniture board with laminated, water resistant surfaces.

METABOX DRAWER

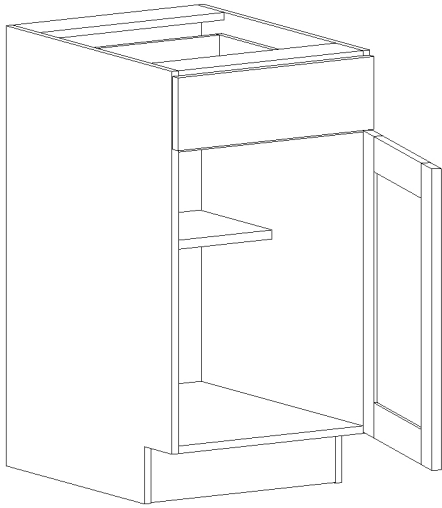
Metabox drawer includes full adjustability, aluminum sides, and soft close slides.



CARE & CLEANING

For normal spills, a damp cloth is sufficient. Remember to dry the surface immediately. 360° wrapped melamine laminate doors can be cleaned with most general purpose household kitchen or bath cleaners. Do not use strong acids or caustic agents and/or abrasive scrubbers. Nicks and dings can be repaired with touch-up kits. Cabinet interiors can be cleaned with a damp sponge, a cloth using soapy water, or most general purpose household cleaners. Do not let liquids stay on the surface for a long period of time.

BASE



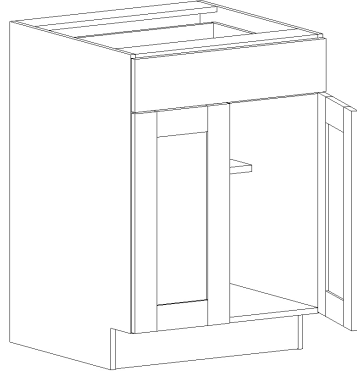
- Comes standard with one half-depth adjustable shelf
- Shipped with hinges on right, can be changed in the field

“UD” signifies upgraded drawer, “ADA” signifies ADA compliant height of 32½”

GRAY #	WHITE #	DESCRIPTION	FT ³
HVB12MG	HVB12WH	Base Cabinet 12" Wide	6.5
HVB15MG	HVB15WH	Base Cabinet 15" Wide	8.0
HVB18WH	HVB18MG	Base Cabinet 18" Wide	9.6
HVB21WH	HVB21MG	Base Cabinet 21" Wide	11.1
N/A	N/A	Base Cabinet 12" Wide ADA height	5.0
N/A	N/A	Base Cabinet 15" Wide ADA height	7.5
N/A	N/A	Base Cabinet 18" Wide ADA height	9.0
N/A	N/A	Base Cabinet 21" Wide ADA height	10.5

BLUE = Extended lead time

BASE DOUBLE DOOR



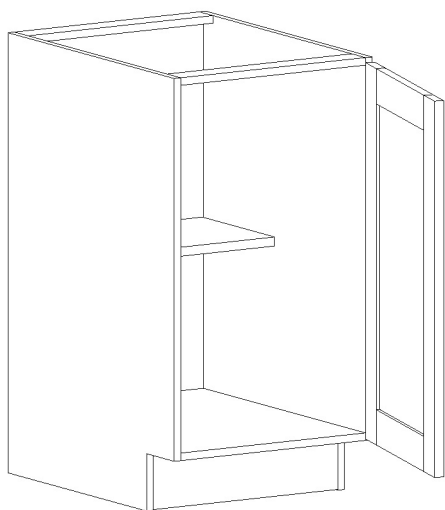
- Comes standard with one half-depth adjustable shelf

“UD” signifies upgraded drawer, “ADA” signifies ADA compliant height of 32½”

GRAY #	WHITE #	DESCRIPTION	FT ³
HVB24MG	HVB24WH	Base Cabinet 24" Wide	13.9
N/A	N/A	Base Cabinet 27" Wide	14.2
HVB30MG	HVB30WH	Base Cabinet 30" Wide	15.8
HBB33MG	HBB33WH	Base Cabinet 33" Wide	17.3
HVB36MG	HVB36WH	Base Cabinet 36" Wide	18.9
N/A	N/A	Base Cabinet 24" Wide ADA height	11.9
N/A	N/A	Base Cabinet 27" Wide ADA height	14.2
N/A	N/A	Base Cabinet 30" Wide ADA height	15.4
N/A	N/A	Base Cabinet 33" Wide ADA height	16.3
N/A	N/A	Base Cabinet 36" Wide ADA height	15.0

BLUE = Extended lead time

BASE FULL HEIGHT DOOR



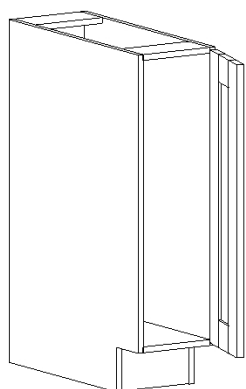
- Comes standard with one half-depth adjustable shelf
- Shipped with hinges on right, can be changed in the field

"ADA" signifies ADA compliant height of 32½"

GRAY #	WHITE #	DESCRIPTION	FT ³
N/A	N/A	Full Height Door Base Cabinet 12" Wide	6.5
N/A	N/A	Full Height Door Base Cabinet 15" Wide	8.0
N/A	N/A	Full Height Door Base Cabinet 18" Wide	9.6
N/A	N/A	Full Height Door Base Cabinet 21" Wide	11.1
N/A	N/A	Full Height Door Base Cabinet 12" Wide ADA height	6.1
N/A	N/A	Full Height Door Base Cabinet 15" Wide ADA height	7.5
N/A	N/A	Full Height Door Base Cabinet 18" Wide ADA height	9.0
N/A	N/A	Full Height Door Base Cabinet 21" Wide ADA height	10.5

BLUE = Extended lead time

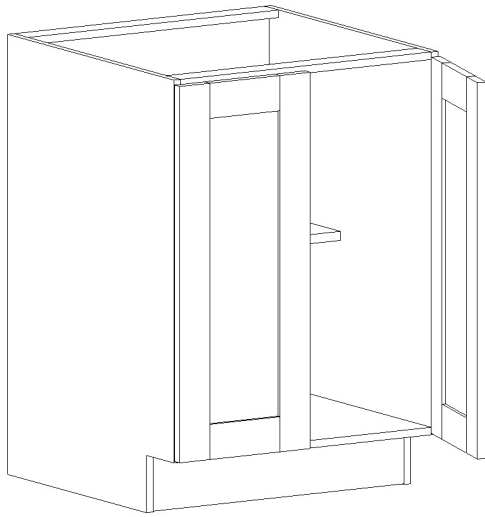
TRAY BASE



- No shelves
- Shipped with hinges on right, can be changed in the field

GRAY #	WHITE #	DESCRIPTION	FT ³
N/A	N/A	Full Height Door Base Cabinet 9" Wide	4.9

BASE FULL HEIGHT DOUBLE DOOR



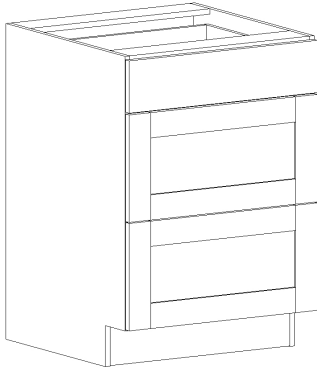
- Comes standard with one half-depth adjustable shelf

"ADA" signifies ADA compliant height of 32½"

GRAY #	WHITE #	DESCRIPTION	FT ³
N/A	N/A	Full Height Door Base Cabinet 24" Wide	12.7
N/A	N/A	Full Height Door Base Cabinet 27" Wide	14.2
N/A	N/A	Full Height Door Base Cabinet 30" Wide	15.8
N/A	N/A	Full Height Door Base Cabinet 33" Wide	17.3
N/A	N/A	Full Height Door Base Cabinet 36" Wide	19.8
N/A	N/A	Full Height Door Base Cabinet 24" Wide ADA height	11.9
N/A	N/A	Full Height Door Base Cabinet 27" Wide ADA height	13.4
N/A	N/A	Full Height Door Base Cabinet 30" Wide ADA height	14.9
N/A	N/A	Full Height Door Base Cabinet 33" Wide ADA height	16.3
N/A	N/A	Full Height Door Base Cabinet 36" Wide ADA height	17.8

BLUE = Extended lead time

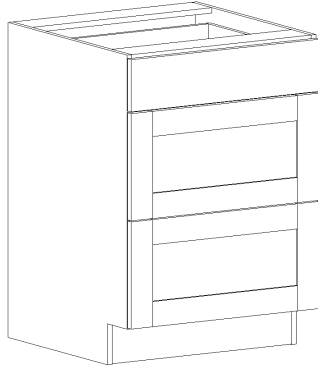
DRAWER BASE



“UD” signifies upgraded drawer, “ADA” signifies ADA compliant height of 32½”

GRAY #	WHITE #	DESCRIPTION	FT ³
N/A	N/A	Drawer Base Cabinet 12" Wide Upgraded Drawer	6.5
N/A	N/A	Drawer Base Cabinet 15" Wide Upgraded Drawer	8.0
N/A	N/A	Drawer Base Cabinet 18" Wide Upgraded Drawer	9.5
N/A	N/A	Drawer Base Cabinet 21" Wide Upgraded Drawer	10.5
N/A	N/A	Drawer Base Cabinet 24" Wide Upgraded Drawer	12.7
N/A	N/A	Drawer Base Cabinet 27" Wide Upgraded Drawer	13.5
N/A	N/A	Drawer Base Cabinet 30" Wide Upgraded Drawer	15.8

DRAWER BASE

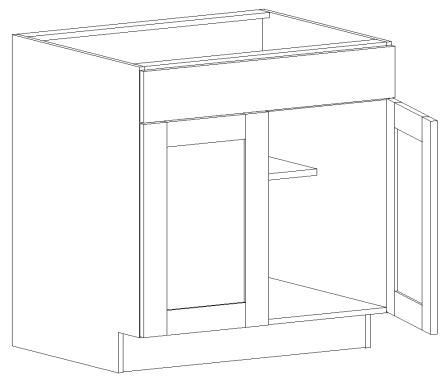


"ADA" signifies ADA compliant height of 32½"

GRAY #	WHITE #	DESCRIPTION	FT ³
N/A	N/A	Drawer Base Cabinet 12" Wide ADA height	6.1
HVDB315MG	HVDB315WH	Drawer Base Cabinet 15" Wide ADA height	7.5
HVDB318MG	HVDB318WH	Drawer Base Cabinet 18" Wide ADA height	9.0
HVDB321MG	HVDB321WH	Drawer Base Cabinet 21" Wide ADA height	10.0
HVDB324MG	HVDB324WH	Drawer Base Cabinet 24" Wide ADA height	12.0
N/A	N/A	Drawer Base Cabinet 27" Wide ADA height	12.7
N/A	N/A	Drawer Base Cabinet 30" Wide ADA height	15.0
N/A	N/A	Drawer Base Cabinet 12" Wide Upgraded Drawer ADA height	6.1
N/A	N/A	Drawer Base Cabinet 15" Wide Upgraded Drawer ADA height	7.5
N/A	N/A	Drawer Base Cabinet 18" Wide Upgraded Drawer ADA height	9.0
N/A	N/A	Drawer Base Cabinet 21" Wide Upgraded Drawer ADA height	10.0
N/A	N/A	Drawer Base Cabinet 24" Wide Upgraded Drawer ADA height	12.0
N/A	N/A	Drawer Base Cabinet 27" Wide Upgraded Drawer ADA height	12.7
N/A	N/A	Drawer Base Cabinet 30" Wide Upgraded Drawer ADA height	14.9

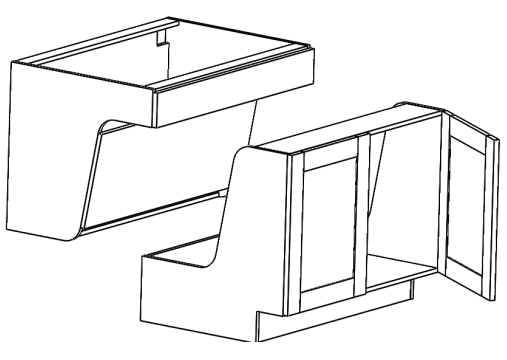
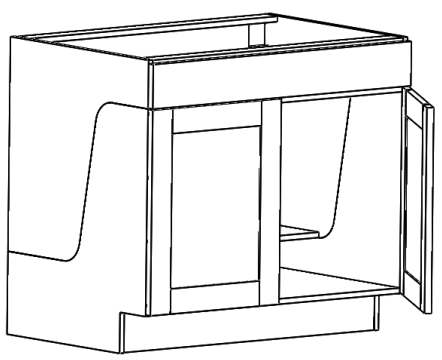
BLUE = Extended lead time

SINK BASE



GRAY #	WHITE #	DESCRIPTION	FT ³
HVVS24MG	HVVS24WH	Sink Base Cabinet 24" Wide	14.0
N/A	N/A	Sink Base Cabinet 27" Wide	15.0
HVVS30MG	HVVS30WH	Sink Base Cabinet 30" Wide	15.8
N/A	N/A	Sink Base Cabinet 33" Wide	17.3
HVVS36MG	HVVS36WH	Sink Base Cabinet 36" Wide	18.9

ADA COMPLIANT SINK BASE W/ REMOVABLE FRONT



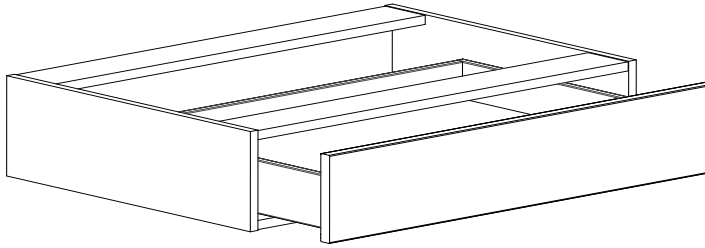
- Wall-mounted ADA compliant cabinet
- Removable front used when ADA compliance not needed

- Wall mount section cabinet available without removable front upon request (Price upon request)

GRAY #	WHITE #	DESCRIPTION	FT ³
N/A	N/A	Sink Base w/ Removable Front ADA Compliant 24" Depth 32.5" Height	14.1
N/A	N/A	Sink Base w/ Removable Front ADA Compliant 24" Depth 32.5" Height	15.5
N/A	N/A	Sink Base w/ Removable Front ADA Compliant 24" Depth 32.5" Height	16.9
N/A	N/A	Vanity Sink Base w/ Removable Front ADA Compliant 21" Depth 32.5" Height	12.4
N/A	N/A	Vanity Sink Base w/ Removable Front ADA Compliant 21" Depth 32.5" Height	13.7
N/A	N/A	Vanity Sink Base w/ Removable Front ADA Compliant 21" Depth 32.5" Height	14.9

BLUE = Extended lead time

KNEE BASE CABINET

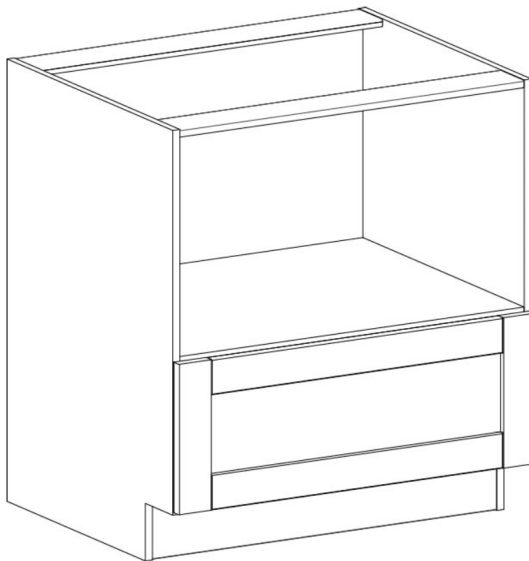


• Cabinets are 21" deep

"UD" signifies upgraded drawer

GRAY #	WHITE #	DESCRIPTION	FT ³
N/A	N/A	Knee Base Drawer 30" wide Upgraded Drawer	2.7
N/A	N/A	Knee Base Drawer 36" wide Upgraded Drawer	3.2

MICROWAVE BASE CABINET

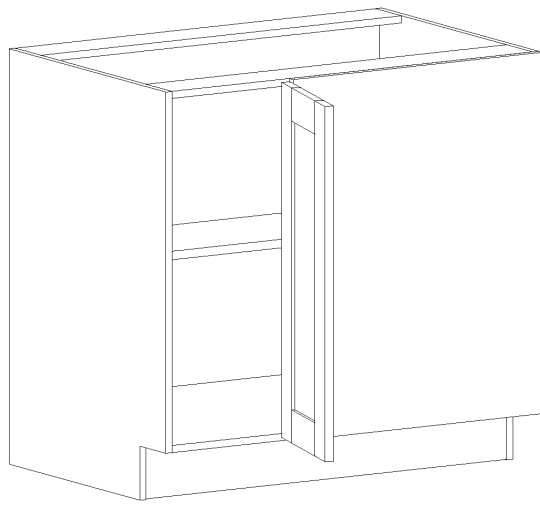


• Rough opening for microwave is 17" tall x 28.75" wide

"UD" signifies upgraded drawer

GRAY #	WHITE #	DESCRIPTION	FT ³
N/A	N/A	Microwave Base Cabinet 30" Wide Upgraded Drawer	15.5

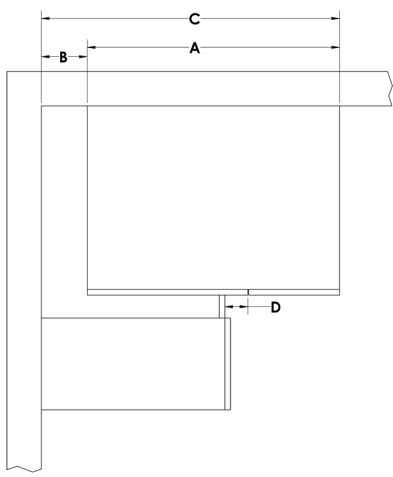
BLIND CORNER BASE



- Comes standard with one half-depth adjustable shelf
- Constructed with a solid, full coverage Blind Panel
- BB45 will accept a blind cabinet pull-out tray as an accessory. Holes are predrilled in cabinet. This item (#427319 BBTK) must be ordered separately.

GRAY #	WHITE #	DESCRIPTION	FT ³
HVBB39RMG	HVBB39RWH	Blind Base 39" Right Hand	18.9
HVBB42RMG	HVBB42RWH	Blind Base 42" Right Hand	20.4
N/A	N/A	Blind Base 45" Right Hand	21.0
HVBB39LMG	HVBB39LWH	Blind Base 39" Left Hand	18.8
HVBB42LMG	HVBB42LWH	Blind Base 42" Left Hand	20.4
N/A	N/A	Blind Base 45" Left Hand	21.0

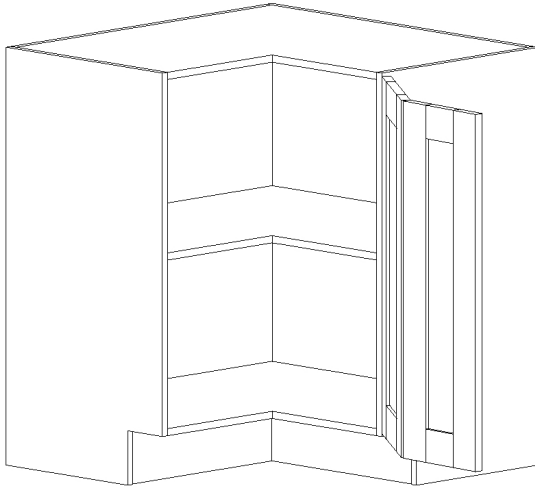
SUGGESTED DIMENSIONS



USER CODE	A - Case Width	Door Width	B1* - Pull (Wall Gap)	C - Installed Width	D - Blind Reveal	B2 - Min. Pull (Wall Gap)	B3 - Max. Pull (Wall Gap)
HVBB39 R/L	33"	12"	6"	39"	3"	4"	23"
HVBB42 R/L	36"	15"		42"			
N/A	39"	18"		45"			

* Must be installed using the "Suggested Pull B1" to achieve the stated size in the User Code. If installed using less than the "Suggested Pull B1," the "Blind Reveal" will be less than 3" and door swing clearance for adjacent items is restricted.

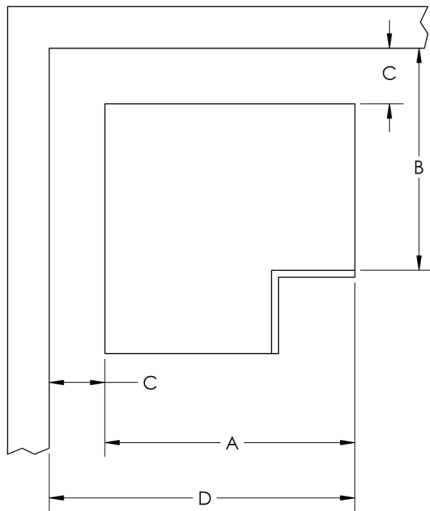
EASY REACH CORNER BASE



- BER36 comes standard with one adjustable shelf. Holes predrilled to accept Lazy Susan Tray Kit (LZSTK).
- If Lazy Susan is desired, you must purchase Easy Reach Corner Base (BER36) as well as the Lazy Susan Tray Kit (LZSTK).
- Lazy Susan Tray Kit (LZSTK) comes with one Lazy Susan tray; if two are desired, a quantity of two must be purchased.

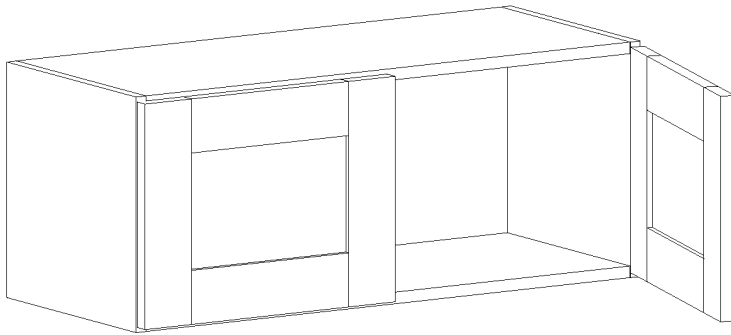
GRAY #	WHITE #	DESCRIPTION	FT ³
HVBER36MG	HVBER36WH	BER36 Base Easy Reach Corner Cabinet	27.0
N/A	N/A	LS36 Lazy Susan Cabinet (Includes 2 Tray Kits)	27.0
N/A	N/A	Lazy Susan Tray Kit (Includes 1 Tray)	2.5

DIMENSIONS



USER CODE	A - Case Width	B - Installed Depth	C - Wall Gap	D - Installed Width
HVBER36	30"	24"	6"	36"

WALL 12" HIGH



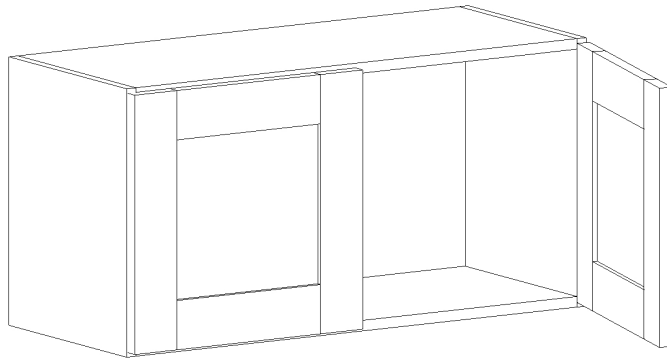
• No shelf included

"GD" signifies cabinet with glass doors

GRAY #	WHITE #	DESCRIPTION	FT ³
N/A	N/A	Wall Cabinet 21" Wide 12" High	2.0
N/A	N/A	Wall Cabinet 24" Wide 12" High	3.8
HVW3012MG	HVW3012WH	Wall Cabinet 30" Wide 12" High	3.0
N/A	N/A	Wall Cabinet 33" Wide 12" High	3.3
HVW361224MG	HVW361224WH	Wall Cabinet 36" Wide 12" High	3.6
N/A	N/A	Wall Cabinet 39" Wide 12" High	3.9
N/A	N/A	Wall Cabinet 30" Wide 12" High 24" Deep	2.7
N/A	N/A	Wall Cabinet 33" Wide 12" High 24" Deep	3.1
N/A	N/A	Wall Cabinet 36" Wide 12" High 24" Deep	6.3
N/A	N/A	Wall Cabinet 39" Wide 12" High 24" Deep	7.3
N/A	N/A	Wall Cabinet 30" Wide 12" High w/Glass Door	5.5
N/A	N/A	Wall Cabinet 33" Wide 12" High w/Glass Door	6.1
N/A	N/A	Wall Cabinet 36" Wide 12" High w/Glass Door	6.5
N/A	N/A	Wall Cabinet 39" Wide 12" High w/Glass Door	7.1

BLUE = Extended lead time

WALL 15" HIGH



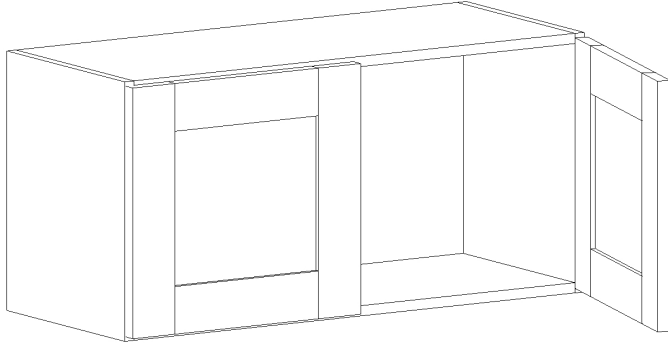
• No shelf included

"GD" signifies cabinet with glass doors

GRAY #	WHITE #	DESCRIPTION	FT ³
N/A	N/A	Wall Cabinet 21" Wide 15" High	2.6
HVW3015MG	HVW3015WH	Wall Cabinet 30" Wide 15" High	3.7
N/A	N/A	Wall Cabinet 33" Wide 15" High	4.1
HVW3615MG	HHVW3615WH	Wall Cabinet 36" Wide 15" High	4.4
N/A	N/A	Wall Cabinet 39" Wide 15" High	4.8
N/A	N/A	Wall Cabinet 30" Wide 15" High 24" Deep	5.8
N/A	N/A	Wall Cabinet 33" Wide 15" High 24" Deep	6.5
HVW361524MG	HVW361524WH	Wall Cabinet 36" Wide 15" High 24" Deep	7.8
N/A	N/A	Wall Cabinet 39" Wide 15" High 24" Deep	8.5
N/A	N/A	Wall Cabinet 30" Wide 15" High w/Glass Door	6.8
N/A	N/A	Wall Cabinet 33" Wide 15" High w/Glass Door	7.5
N/A	N/A	Wall Cabinet 36" Wide 15" High w/Glass Door	4.4
N/A	N/A	Wall Cabinet 39" Wide 15" High w/Glass Door	4.8

BLUE = Extended lead time

WALL 18" HIGH

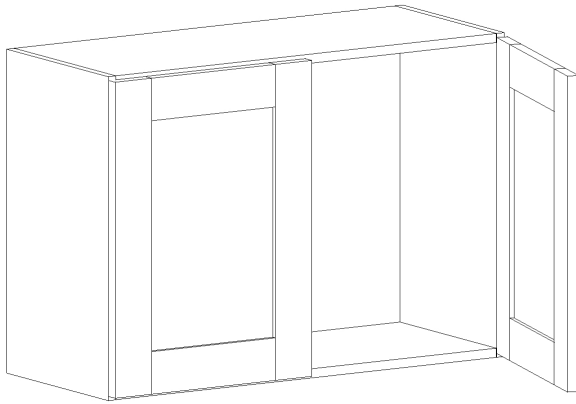


• No shelf included

GRAY #	WHITE #	DESCRIPTION	FT ³
N/A	N/A	Wall Cabinet 21" Wide 18" High	3.1
N/A	N/A	Wall Cabinet 24" Wide 18" High	3.5
N/A	N/A	Wall Cabinet 30" Wide 18" High	8.3
N/A	N/A	Wall Cabinet 33" Wide 18" High	9.1
N/A	N/A	Wall Cabinet 36" Wide 18" High	10.0
N/A	N/A	Wall Cabinet 30" Wide 18" High 24" Deep	8.3
N/A	N/A	Wall Cabinet 33" Wide 18" High 24" Deep	10.0
N/A	N/A	Wall Cabinet 36" Wide 18" High 24" Deep	10.9
N/A	N/A	Wall Cabinet 39" Wide 18" High 24" Deep	11.8

BLUE = Extended lead time

WALL 21" HIGH



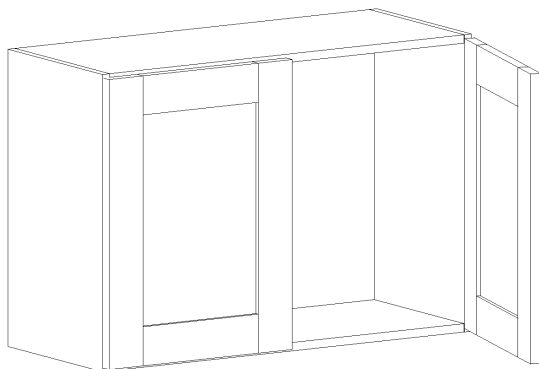
• No shelf included

"GD" signifies cabinet with glass doors

GRAY #	WHITE #	DESCRIPTION	FT ³
N/A	N/A	Wall Cabinet 21" Wide 21" High	4.0
N/A	N/A	Wall Cabinet 30" Wide 21" High	5.1
N/A	N/A	Wall Cabinet 33" Wide 21" High	5.6
N/A	N/A	Wall Cabinet 36" Wide 21" High	6.1
N/A	N/A	Wall Cabinet 39" Wide 21" High	6.6
N/A	N/A	Wall Cabinet 30" Wide 21" High 24" Deep	6.0
N/A	N/A	Wall Cabinet 33" Wide 21" High 24" Deep	7.0
HVW362124MG	HVW362124WH	Wall Cabinet 36" Wide 21" High 24" Deep	8.0
N/A	N/A	Wall Cabinet 39" Wide 21" High 24" Deep	9.0
N/A	N/A	Wall Cabinet 30" Wide 21" High w/Glass Door	9.5
N/A	N/A	Wall Cabinet 33" Wide 21" High w/Glass Door	10.4
N/A	N/A	Wall Cabinet 36" Wide 21" High w/Glass Door	11.7
N/A	N/A	Wall Cabinet 39" Wide 21" High w/Glass Door	12.3

BLUE = Extended lead time

WALL 24" HIGH



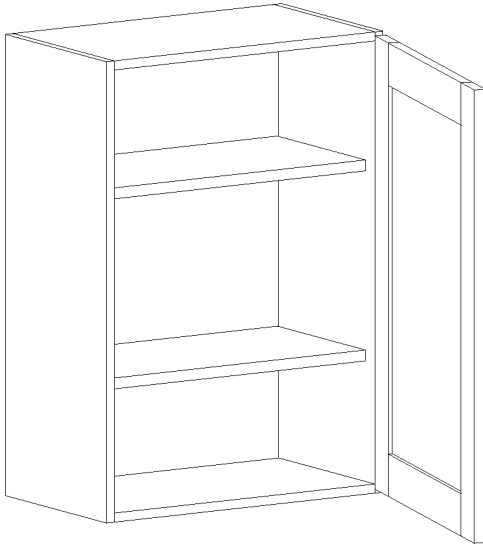
- Comes standard with one adjustable shelf

"GD" signifies cabinet with glass doors

GRAY #	WHITE #	DESCRIPTION	FT ³
N/A	N/A	Wall Cabinet 21" Wide 24" High	4.0
HVW3024MG	HVW3024WH	Wall Cabinet 30" Wide 24" High	5.8
N/A	N/A	Wall Cabinet 33" Wide 24" High	6.1
N/A	N/A	Wall Cabinet 36" Wide 24" High	7.0
N/A	N/A	Wall Cabinet 39" Wide 24" High	7.6
N/A	N/A	Wall Cabinet 30" Wide 24" High 24" Deep	7.8
N/A	N/A	Wall Cabinet 33" Wide 24" High 24" Deep	8.0
N/A	N/A	Wall Cabinet 36" Wide 24" High 24" Deep	9.0
N/A	N/A	Wall Cabinet 39" Wide 24" High 24" Deep	9.6

BLUE = Extended lead time

WALL 30" HIGH



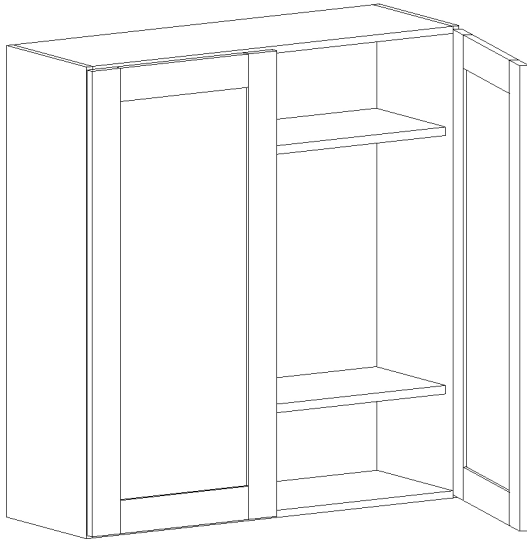
- Comes standard with two adjustable shelves
- Reversible for right hand & left hand by flipping upside down

"GD" signifies cabinet with glass doors

GRAY #	WHITE #	DESCRIPTION	FT ³
HVW930MG	HVW930WH	Wall Cabinet 9" Wide 30" High	2.3
HVW1230MG	HVW1230WH	Wall Cabinet 12" Wide 30" High	3.0
HVW1530MG	HVW1530WH	Wall Cabinet 15" Wide 30" High	3.7
HVW1830MG	HVW1830WH	Wall Cabinet 18" Wide 30" High	4.4
HVW2130MG	HVW2130WH	Wall Cabinet 21" Wide 30" High	5.1
N/A	N/A	Wall Cabinet 9" Wide 30" High w/Glass Door	9.4
N/A	N/A	Wall Cabinet 12" Wide 30" High w/Glass Door	3.0
N/A	N/A	Wall Cabinet 15" Wide 30" High w/Glass Door	6.8
N/A	N/A	Wall Cabinet 18" Wide 30" High w/Glass Door	7.1
N/A	N/A	Wall Cabinet 21" Wide 30" High w/Glass Door	8.7

BLUE = Extended lead time

WALL 30" HIGH DOUBLE DOOR



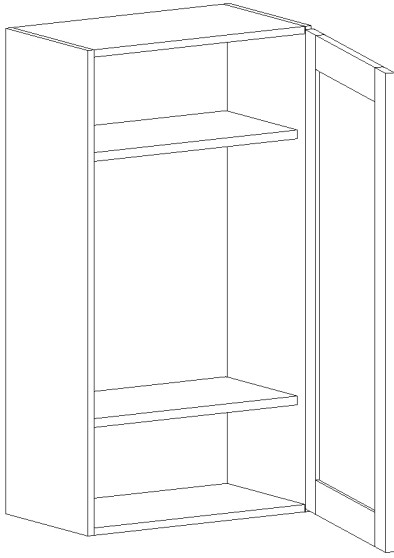
- Comes standard with two adjustable shelves

"GD" signifies cabinet with glass doors

GRAY #	WHITE #	DESCRIPTION	FT ³
HVW2430MG	HVW2430WH	Wall Cabinet 24" Wide 30" High	5.8
HVW2730MG	HVW2730WH	Wall Cabinet 27" Wide 30" High	6.6
HVW3030MG	HVW3030WH	Wall Cabinet 30" Wide 30" High	7.3
HVW3330MG	HVW3330WH	Wall Cabinet 33" Wide 30" High	8.0
HVW3630MG	HVW3630WH	Wall Cabinet 36" Wide 30" High	8.7
N/A	N/A	Wall Cabinet 24" Wide 30" High w/Glass Door	10.8
N/A	N/A	Wall Cabinet 27" Wide 30" High w/Glass Door	11.0
N/A	N/A	Wall Cabinet 30" Wide 30" High w/Glass Door	13.5
N/A	N/A	Wall Cabinet 33" Wide 30" High w/Glass Door	14.0
N/A	N/A	Wall Cabinet 36" Wide 30" High w/Glass Door	15.0

BLUE = Extended lead time

WALL 39" HIGH



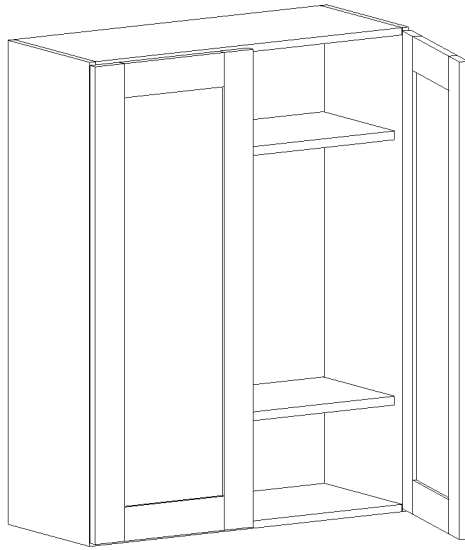
- Comes standard with two adjustable shelves
- Reversible for right hand & left hand by flipping upside down

“GD” signifies cabinet with glass doors

GRAY #	WHITE #	DESCRIPTION	FT ³
HVW939MG	HVW939WH	Wall Cabinet 9" Wide 39" High	2.9
HVW1239MG	HVW1239WH	Wall Cabinet 12" Wide 39" High	3.9
HVW1539MG	HVW1539WH	Wall Cabinet 15" Wide 39" High	5.2
HVW1839MG	HVW1839WH	Wall Cabinet 18" Wide 39" High	5.7
HVW2139MG	HVW2139WH	Wall Cabinet 21" Wide 39" High	7.1
N/A	N/A	Wall Cabinet 9" Wide 39" High w/Glass Door	2.8
N/A	N/A	Wall Cabinet 12" Wide 39" High w/Glass Door	7.1
N/A	N/A	Wall Cabinet 15" Wide 39" High w/Glass Door	8.9
N/A	N/A	Wall Cabinet 18" Wide 39" High w/Glass Door	10.8
N/A	N/A	Wall Cabinet 21" Wide 39" High w/Glass Door	12.3

BLUE = Extended lead time

WALL 39" HIGH DOUBLE DOOR



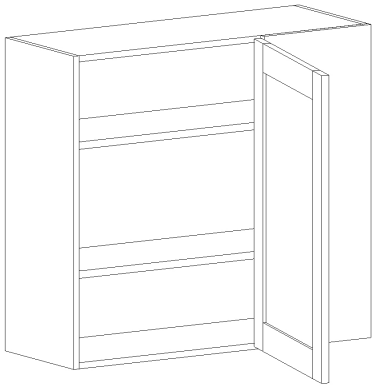
- Comes standard with two adjustable shelves

"GD" signifies cabinet with glass doors

GRAY #	WHITE #	DESCRIPTION	FT ³
HVW2439MG	HVW2439WH	Wall Cabinet 24" Wide 39" High	7.6
HVW2739MG	HVW2739WH	Wall Cabinet 27" Wide 39" High	8.5
HVW3039MG	HVW3039WH	Wall Cabinet 30" Wide 39" High	9.4
HVW3339MG	HVW3339WH	Wall Cabinet 33" Wide 39" High	10.3
HVW3639MG	HVW3639WH	Wall Cabinet 36" Wide 39" High	11.3
N/A	N/A	Wall Cabinet 24" Wide 39" High w/Glass Door	8.0
N/A	N/A	Wall Cabinet 27" Wide 39" High w/Glass Door	9.0
N/A	N/A	Wall Cabinet 30" Wide 39" High w/Glass Door	10.0
N/A	N/A	Wall Cabinet 33" Wide 39" High w/Glass Door	11.0
N/A	N/A	Wall Cabinet 36" Wide 39" High w/Glass Door	12.0

BLUE = Extended lead time

BLIND WALL



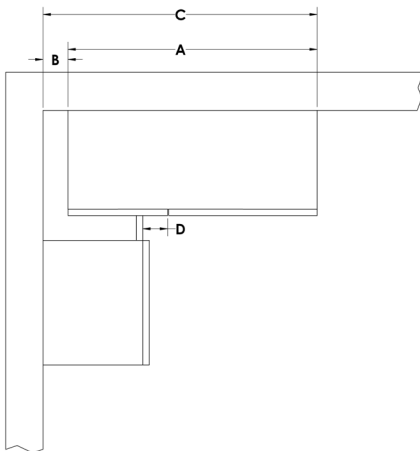
- Constructed with a solid, full coverage Blind Panel
- Comes standard with two adjustable shelves
- Reversible for right hand & left hand by flipping upside down

“GD” signifies cabinet with glass doors

GRAY #	WHITE #	DESCRIPTION	FT ³
HVWB3330MG	HVWB3330WH	Wall Blind Cabinet 33" X 30" High Reversible R/L	7.3
HVWB3630MG	HVWB3630WH	Wall Blind Cabinet 36" X 30" High Reversible R/L	8.0
HVWB3339MG	HVWB3339WH	Wall Blind Cabinet 33" X 39" High Reversible R/L	9.4
HVWB3639MG	HVWB3639WH	Wall Blind Cabinet 36" X 39" High Reversible R/L	10.3
N/A	N/A	Wall Blind Cabinet 33" X 30" High w/ Glass Door Reversible R/L	7.3
N/A	N/A	Wall Blind Cabinet 36" X 30" High w/ Glass Door Reversible R/L	8.0
N/A	N/A	Wall Blind Cabinet 33" X 39" High w/ Glass Door Reversible R/L	9.4
N/A	N/A	Wall Blind Cabinet 36" X 39" High w/ Glass Door Reversible R/L	10.3

BLUE = Extended lead time

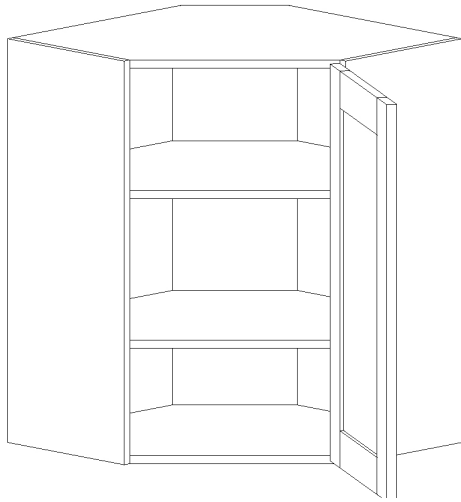
SUGGESTED DIMENSIONS



USER CODE	A - Case Width	Door Width	B1* - Pull (Wall Gap)	C - Installed Width	D - Blind Reveal	B2 - Min. Pull (Wall Gap)	B3 - Max. Pull (Wall Gap)
HVWB3330 R/L	30"	18"	3"	33"	3"	1"	11"
HVWB3630 R/L	33"	21"		36"			
HVWB3339 R/L	30"	18"		33"			
HVWB3639 R/L	33"	21"		36"			

* Must be installed using the "Suggested Pull B1" to achieve the stated size in the User Code. If installed using less than the "Suggested Pull B1," the "Blind Reveal" will be less than 3" and door swing clearance for adjacent items is restricted.

WALL DIAGONAL CABINET



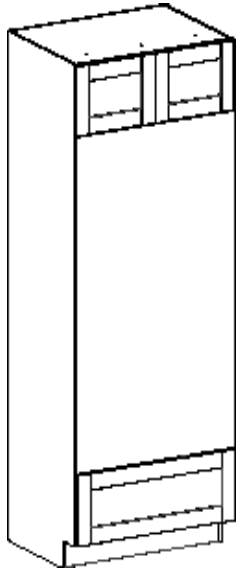
- Comes standard with two adjustable shelves
- 27" wide cabinets are bump-out cabinets that are 15" deep on each side

"GD" signifies cabinet with glass doors

GRAY #	WHITE #	DESCRIPTION	FT ³
HVWDC2430MG	HVWDC2430WH	Wall Diagonal Cabinet 24" Wide 30" High	10.6
HVWDC2439MG	HVWDC2439WH	Wall Diagonal Cabinet 24" Wide 39" High	13.7
HVWDC2739MG	HVWDC2739WH	Wall Diagonal Cabinet 27" Wide 39" High	17.3
N/A	N/A	Wall Diagonal Cabinet 24" Wide 30" High w/Glass Door	10.6
N/A	N/A	Wall Diagonal Cabinet 24" Wide 39" High w/Glass Door	13.7
N/A	N/A	Wall Diagonal Cabinet 27" Wide 39" High w/Glass Door	17.3

BLUE = Extended lead time

UNIVERSAL OVEN CABINET



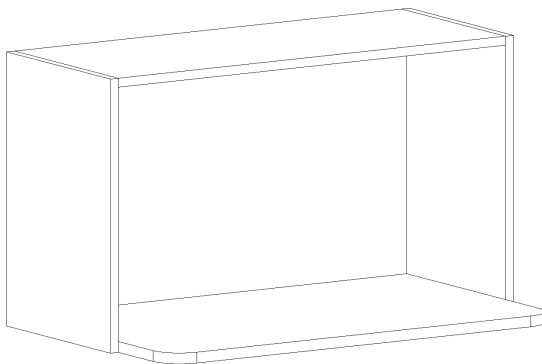
- Drawer front height is 11.73" for both 84" and 93" tall cabinets
- Door height is 12" on the 84" tall cabinet; 21" on the 93" tall cabinet

"UD" signifies upgraded drawer

GRAY #	WHITE #	DESCRIPTION	FT ³
HVOC3384MG	HVOC3384WH	Oven Cabinet 33" Wide 84" High Upgraded Drawer	10.6
HVOC3393MG	HVOC3393WH	Oven Cabinet 33" Wide 93" High Upgraded Drawer	13.7

BLUE = Extended lead time

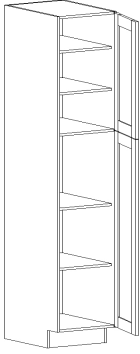
MICROWAVE WALL



- Interior of cabinet matches kitchen door color
- Bottom shelf is 18" deep

GRAY #	WHITE #	DESCRIPTION	FT ³
HVWMC3018MG	HVWMC3018WH	Wall Microwave Cabinet 30" Wide 18" High	6.5

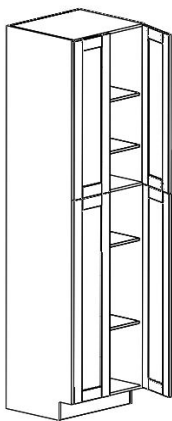
LINEN CABINETS



- Comes standard with four adjustable, full-depth shelves plus one fixed shelf
- Shipped with hinges on right, can be changed in the field
- Cabinet depth is 21"

GRAY #	WHITE #	DESCRIPTION	FT ³
N/A	N/A	Linen Cabinet 12" Wide 84" High	17.1
N/A	N/A	Linen Cabinet 15" Wide 84" High	17.1
N/A	N/A	Linen Cabinet 18" Wide 84" High	19.3
N/A	N/A	Linen Cabinet 21" Wide 84" High	19.3
N/A	N/A	Linen Cabinet 12" Wide 93" High	18.9
N/A	N/A	Linen Cabinet 15" Wide 93" High	18.9
N/A	N/A	Linen Cabinet 18" Wide 93" High	21.3
N/A	N/A	Linen Cabinet 21" Wide 93" High	21.3

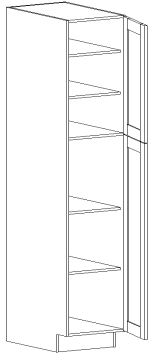
LINEN 24" WIDE DOUBLE DOOR



- Comes standard with four adjustable, full-depth shelves plus one fixed shelf
- Cabinet depth is 24"

GRAY #	WHITE #	DESCRIPTION	FT ³
N/A	N/A	Linen Cabinet 24" Wide 84" High	30.0
N/A	N/A	Linen Cabinet 24" Wide 93" High	29.8

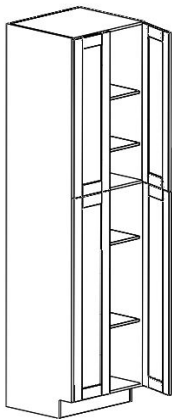
UTILITY CABINETS



- Comes standard with four adjustable, full-depth shelves plus one fixed shelf
- Shipped with hinges on right, can be changed in the field
- Cabinet depth is 24"

GRAY #	WHITE #	DESCRIPTION	FT ³
N/A	N/A	Utility Cabinet 12" Wide 84" High	19.3
HVUC1584MG	HVUC1584WH	Utility Cabinet 15" Wide 84" High	19.3
N/A	N/A	Utility Cabinet 18" Wide 84" High	21.9
N/A	N/A	Utility Cabinet 21" Wide 84" High	21.9
N/A	N/A	Utility Cabinet 12" Wide 93" High	21.4
HVUC1593WH	HVUC1593MG	Utility Cabinet 15" Wide 93" High	21.4
N/A	N/A	Utility Cabinet 18" Wide 93" High	24.2
N/A	N/A	Utility Cabinet 21" Wide 93" High	24.2

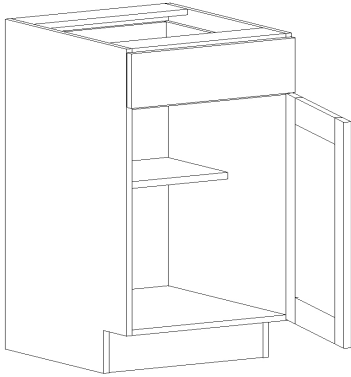
UTILITY 24" WIDE DOUBLE DOOR



- Comes standard with four adjustable, full-depth shelves plus one fixed shelf
- Cabinet depth is 24"

GRAY #	WHITE #	DESCRIPTION	FT ³
HVUC2484MG	HVUC2484WH	Utility Cabinet 24" Wide 84" High	30.6
HVUC2493MG	HVUC2493WH	Utility Cabinet 24" Wide 93" High	33.8

VANITY BASE



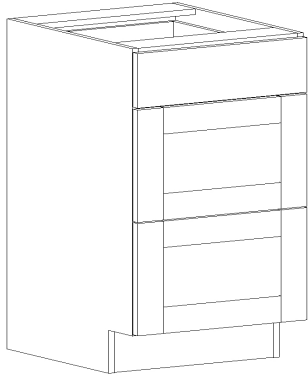
- Comes standard with one half-depth adjustable shelf
- Shipped with hinges on right, can be changed in the field

"UD" signifies upgraded drawer, "ADA" signifies ADA compliant height of 32½"

GRAY #	WHITE #	DESCRIPTION	FT ³
N/A	N/A	Vanity Base Cabinet 12" Wide Upgraded Drawer	6.5
N/A	N/A	Vanity Base Cabinet 15" Wide Upgraded Drawer	8.0
N/A	N/A	Vanity Base Cabinet 18" Wide Upgraded Drawer	9.6
N/A	N/A	Vanity Base Cabinet 21" Wide Upgraded Drawer	11.0
N/A	N/A	Vanity Base Cabinet 24" Wide Upgraded Drawer	13.0
N/A	N/A	Vanity Base Cabinet 12" Wide Upgraded Drawer ADA height	5.0
N/A	N/A	Vanity Base Cabinet 15" Wide Upgraded Drawer ADA height	6.2
N/A	N/A	Vanity Base Cabinet 18" Wide Upgraded Drawer ADA height	7.4
N/A	N/A	Vanity Base Cabinet 21" Wide Upgraded Drawer ADA height	8.4
N/A	N/A	Vanity Base Cabinet 24" Wide Upgraded Drawer ADA height	8.4

BLUE = Extended lead time

VANITY DRAWER BASE

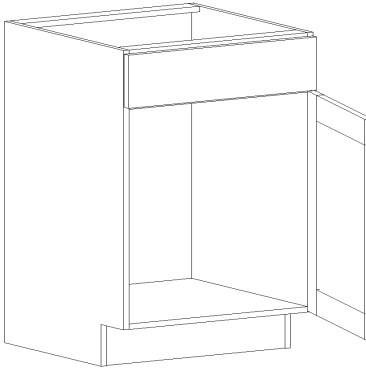


"UD" signifies upgraded drawer, "ADA" signifies ADA compliant height of 32½"

GRAY #	WHITE #	DESCRIPTION	FT ³
HVVBD312MG	HVVBD312WH	Vanity Drawer Base Cabinet 12" Wide Upgraded Drawer	5.7
HVVBD315MG	HVVBD315WH	Vanity Drawer Base Cabinet 15" Wide Upgraded Drawer	7.1
HVVBD318MG	HVVBD318MG	Vanity Drawer Base Cabinet 18" Wide Upgraded Drawer	8.4
N/A	N/A	Vanity Drawer Base Cabinet 21" Wide Upgraded Drawer	8.0
N/A	N/A	Vanity Drawer Base Cabinet 24" Wide Upgraded Drawer	8.5
N/A	N/A	Vanity Drawer Base Cabinet 12" Wide Upgraded Drawer ADA height	5.0
N/A	N/A	Vanity Drawer Base Cabinet 15" Wide Upgraded Drawer ADA height	6.2
N/A	N/A	Vanity Drawer Base Cabinet 18" Wide Upgraded Drawer ADA height	7.4
N/A	N/A	Vanity Drawer Base Cabinet 21" Wide Upgraded Drawer ADA height	8.4
N/A	N/A	Vanity Drawer Base Cabinet 24" Wide Upgraded Drawer ADAheight	8.4

BLUE = Extended lead time

VANITY SINK BASE

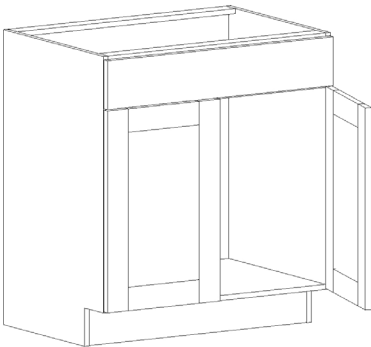


• Shipped with hinges on right, can be changed in the field

“ADA” signifies ADA compliant height of 32½”

GRAY #	WHITE #	DESCRIPTION	FT ³
N/A	N/A	Vanity Sink Base 21" wide	6.4
N/A	N/A	Vanity Sink Base 21" wide ADA height	6.4

VANITY SINK BASE DOUBLE DOOR

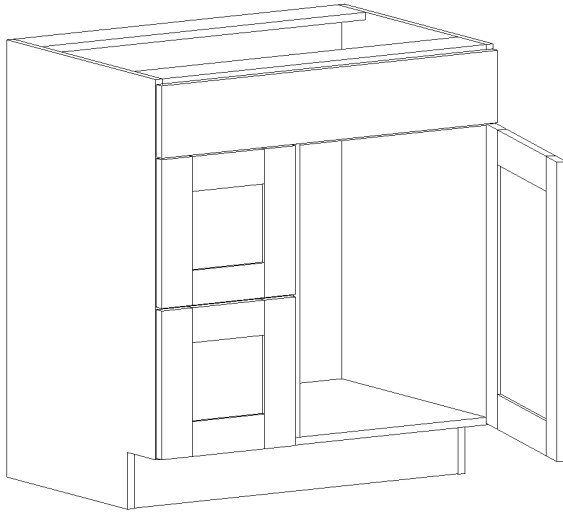


“ADA” signifies ADA compliant height of 32½”

GRAY #	WHITE #	DESCRIPTION	FT ³
N/A	N/A	Vanity Sink Base 24" wide	11.2
N/A	N/A	Vanity Sink Base 27" wide	12.5
HVSB30MG	HVSB30WH	Vanity Sink Base 30" wide	13.9
HVSB33MG	HVSB33WH	Vanity Sink Base 33" wide	14.0
HVSB36MG	HVSB36WH	Vanity Sink Base 36" wide	17.3
N/A	N/A	Vanity Sink Base 24" wide ADA height	9.9
N/A	N/A	Vanity Sink Base 27" wide ADA height	11.2
N/A	N/A	Vanity Sink Base 30" wide ADA height	13.0
N/A	N/A	Vanity Sink Base 33" wide ADA height	13.5
N/A	N/A	Vanity Sink Base 36" wide ADA height	15.0

BLUE = Extended lead time

VANITY SINK DRAWER BASE

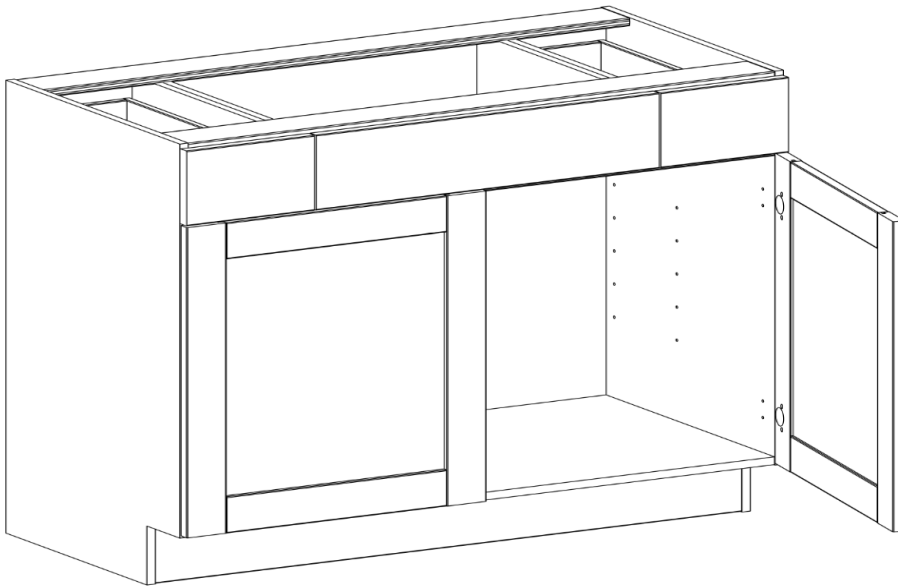


- Right hand / left hand must be specified
- 30" wide cabinet consists of two 12" wide drawers, one 18" door, and one false drawer front
- 36" wide cabinet consists of two 12" wide drawers, two 12" doors, and one false drawer front
- Picture shown illustrates left handed version of cabinet

"UD" signifies upgraded drawer

GRAY #	WHITE #	DESCRIPTION	FT ³
HVVSBD30RMG	HVVSBD30LWH	Vanity Sink Base Drawer Cabinet 30" Wide Upgraded Drawer RH	14.0
HVVSBD30LMG	HVVSBD30RWH	Vanity Sink Base Drawer Cabinet 30" Wide Upgraded Drawer LH	14.0
HVVSBD36RMG	HVVSBD36RWH	Vanity Sink Base Drawer Cabinet 36" Wide Upgraded Drawer RH	16.6
HVVSBD36LMG	HVVSBD36LWH	Vanity Sink Base Drawer Cabinet 36" Wide Upgraded Drawer LH	16.6

VANITY SINK DRAWER BASE



- Each drawer front uses a 9" drawer front.
- Inside dimension of drawer box is 5.75"

"UD" signifies upgraded drawer

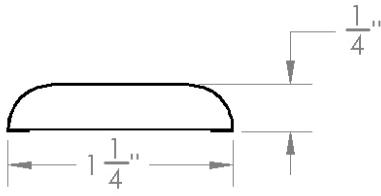
GRAY #	WHITE #	DESCRIPTION	FT ³
N/A	N/A	Vanity Sink Base Drawer Cabinet 36" Wide w/2 Drawers	15.8
N/A	N/A	Vanity Sink Base Drawer Cabinet 39" Wide w/2 Drawers	15.8
N/A	N/A	Vanity Sink Base Drawer Cabinet 42" Wide w/2 Drawers	15.8
N/A	N/A	Vanity Sink Base Drawer Cabinet 36" Wide w/2 Upgraded Drawers	15.8
N/A	N/A	Vanity Sink Base Drawer Cabinet 39" Wide w/2 Upgraded Drawers	15.8
N/A	N/A	Vanity Sink Base Drawer Cabinet 42" Wide w/2 Upgraded Drawers	15.8

COMBO VANITY CABINETS

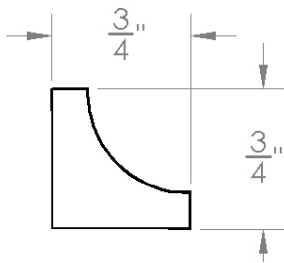
"UD" signifies upgraded drawer

GRAY #	WHITE #	DESCRIPTION	FT ³
N/A	N/A	VS24, VDB312, VS24 Combo 60" Wide 2 Bowl Vanity Base Cab	14.0
N/A	N/A	VS27, VDB312, VS27 Combo 66" Wide 2 Bowl Vanity Base Cab	14.0
N/A	N/A	VS30, VDB312, VS30 Combo 72" Wide 2 Bowl Vanity Base Cab	14.0
N/A	N/A	VS24, VDB312UD, VS24 Combo 60" Wide 2 Bowl Vanity Base Cab	14.0
N/A	N/A	VS27, VDB312UD, VS27 Combo 66" Wide 2 Bowl Vanity Base Cab	14.0
N/A	N/A	VS30, VDB312UD, VS30 Combo 72" Wide 2 Bowl Vanity Base Cab	14.0
N/A	N/A	VB12, VS24, VB12 Combo 48" Wide 1 Bowl Vanity Base Cab	14.0
N/A	N/A	VB15, VS24, VB15 Combo 54" Wide 1 Bowl Vanity Base Cab	14.0
N/A	N/A	VB12, VS36, VB12 Combo 60" Wide 1 Bowl Vanity Base Cab	14.0
N/A	N/A	VB15, VS36, VB15 Combo 66" Wide 1 Bowl Vanity Base Cab	14.0
N/A	N/A	VB18, VS36, VB18 Combo 72" Wide 1 Bowl Vanity Base Cab	14.0
N/A	N/A	VB12UD, VS24, VB12UD Combo 48" Wide 1 Bowl Vanity Base Cab	14.0
N/A	N/A	VB15UD, VS24, VB15UD Combo 54" Wide 1 Bowl Vanity Base Cab	14.0
N/A	N/A	VB12UD, VS36, VB12UD Combo 60" Wide 1 Bowl Vanity Base Cab	14.0
N/A	N/A	VB15UD, VS36, VB15UD Combo 66" Wide 1 Bowl Vanity Base Cab	14.0
N/A	N/A	VB18UD, VS36, VB18UD Combo 72" Wide 1 Bowl Vanity Base Cab	14.0

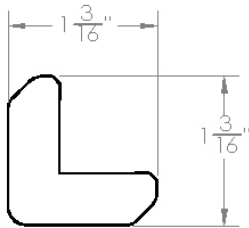
MOLDINGS



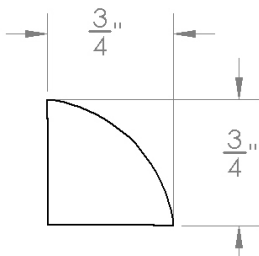
GRAY #	WHITE #	DESCRIPTION	FT ³
HVBATTENMG	HVBATTENWH	Batten Scribe Molding	1.0



GRAY #	WHITE #	DESCRIPTION	FT ³
HVICMMG	HVICMWH	Inside Corner Molding	1.0

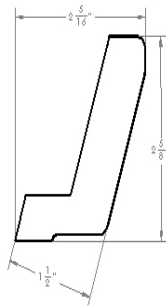


GRAY #	WHITE #	DESCRIPTION	FT ³
HVOCMMG	HVOCMWH	Outside Corner Molding	1.0

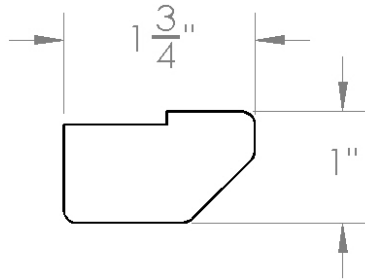


GRAY #	WHITE #	DESCRIPTION	FT ³
N/A	N/A	Quarter Round Molding	1.0

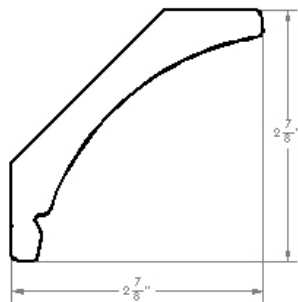
MOLDINGS



GRAY #	WHITE #	DESCRIPTION	FT ³
HVSCROWNMG	HVSCROWNWH	Shaker Crown Molding	1.0



GRAY #	WHITE #	DESCRIPTION	FT ³
N/A	N/A	Shaker Light Rail Molding	1.0

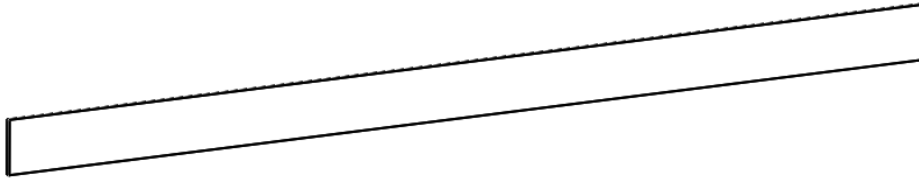


• Shaker Curved Crown Molding requires a starter strip

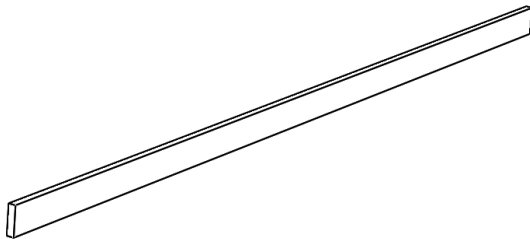
GRAY #	WHITE #	DESCRIPTION	FT ³
HVSCCROWNMG	HVSCCROWNWH	Shaker Curved Crown Molding	1.0

ACCESSORIES

GRAY #	WHITE #	DESCRIPTION	FT ³
--------	---------	-------------	-----------------

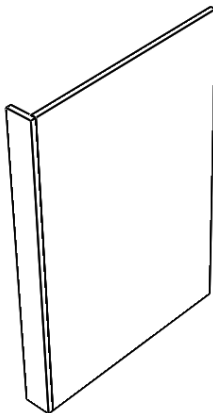


HVTK96MG	HVTK96WH	Toekick 4" X 96"	1.0
----------	----------	------------------	-----



- Finished on two sides
- All edges are unfinished

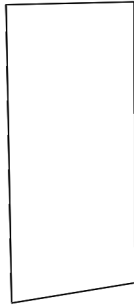
HVUF396MG	HVUF396WH	Universal Filler 3" X 96"	1.0
HFUF696MG	HFUF696WH	Universal Filler 6" X 96"	1.0



GRAY #	WHITE #	DESCRIPTION	FT ³
HVDWEP3MG	HVDWEP3WH	Dishwasher End Panel 3.0"	1.0

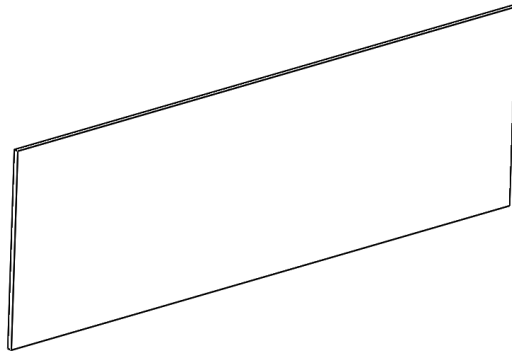
ACCESSORIES

GRAY #	WHITE #	DESCRIPTION	FT ³
--------	---------	-------------	-----------------



• All edges are unfinished

HVP4896MG	HVP4896WH	3/8" Panel 48" X 96"	1.0
N/A	N/A	3/4" Panel 48" X 96"	1.0

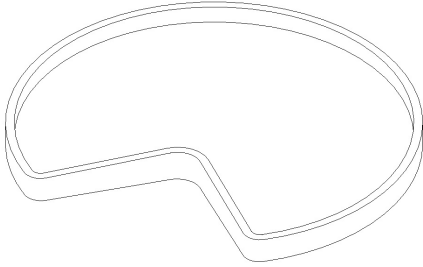


• Thermoplastic edge banding on all four edges

N/A	N/A	Refrigerator End Panel 3/4" X 24" X 84"	1.0
N/A	N/A	Refrigerator End Panel 3/4" X 24" X 93"	1.0
HVREP3084MG	HVREP3084WH	Refrigerator End Panel 3/4" X 30" X 84"	1.0
HVREP3093MG	HVREP3093MG	Refrigerator End Panel 3/4" X 30" X 93"	1.0

ACCESSORIES

GRAY #	WHITE #	DESCRIPTION	FT ³
--------	---------	-------------	-----------------



- Fits the BER36 cabinet which comes standard with predrilled holes to easily accept this accessory
- Tray material = white plastic

N/A	HVLZSTK	Lazy Susan Tray Kit (One Tray)	2.5
-----	---------	--------------------------------	-----



- Fits the BB42 or BB45 cabinet
- Tray material = white plastic
- Comes with template and instructions to easily install this accessory.

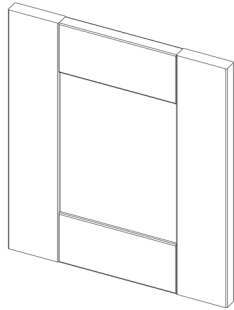
N/A	N/A	Halfmoon Lazy Susan for BB42	2.0
N/A	N/A	Halfmoon Lazy Susan for BB45	2.0

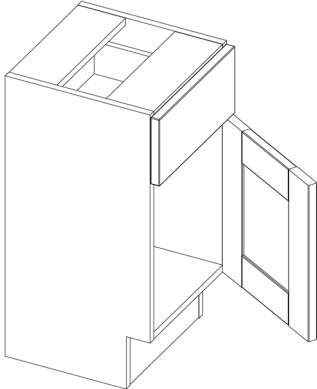


- Trash Pullout Kit is soft closed and fits the B18 or B18FH cabinets which comes standard with predrilled holes to easily accept this accessory
- Does not mount to the door; the door remains hinged

N/A	N/A	Trash Pullout Kit	5.0
N/A	N/A	B18 Base Cabinet Drawer w/Trash Can Pullout	5.0
N/A	N/A	B18FH Base Cabinet Full Drawer w/Trash Can Pullout	5.0
N/A	N/A	B18UD Base Cabinet Upgraded Drw w/Trash Can Pullout	5.0

ACCESSORIES

GRAY #	WHITE #	DESCRIPTION	FT ³
			
HVSHSDMG	HVSHSDWH	Sample Shaker Door 10" X 11"	

			
N/A	N/A	Minibase Cab BB Dwr 12" X 12" X 24"H	2.0
N/A	N/A	Minibase Sample Cab SC Dwr 12" X 12" X 24"H	2.4

ACCESSORIES

GRAY #	WHITE #	DESCRIPTION	FT ³
N/A	N/A	Rollout Drawer for 12" Wide Cabinet	1.0
N/A	N/A	Rollout Drawer for 15" Wide Cabinet	1.0
N/A	N/A	Rollout Drawer for 18" Wide Cabinet	1.0
N/A	N/A	Rollout Drawer for 21" Wide Cabinet	1.0
N/A	N/A	Rollout Drawer for 24" Wide Cabinet	1.0
N/A	N/A	Rollout Drawer for 27" Wide Cabinet	1.0
N/A	N/A	Rollout Drawer for 30" Wide Cabinet	1.0
N/A	N/A	Rollout Drawer for 33" Wide Cabinet	1.0
N/A	N/A	Rollout Drawer for 36" Wide Cabinet	1.0

GRAY #	WHITE #	DESCRIPTION	FT ³
HVTUKMG	HVTUKWH	Touch Up Kit	0.25
N/A	N/A	Touch Up Kit	0.25
N/A	N/A	MSC Molding Sample Chain (Not Color Specific)	0.1
N/A	N/A	Sample Kit (Not Color Specific)	0.1
N/A	N/A	Wall Mounting Screw (Box of 50)	
N/A	N/A	Cabinet Binding Post and Screw (Box of 25)	

MODIFICATIONS

DESCRIPTION
Decrease Base Cabinet Depth to 12"
Decrease Base Cabinet Depth to 18"
Decrease Vanity Cabinet Depth to 18" (Only on Vanity Sink Base Cabinets - Single & Double Door)
Increase Wall Cabinet Depth to 15"
Increase Wall Cabinet Depth to 18"
Increase Wall Cabinet Depth to 21"
Increase Wall Cabinet Depth to 24"
Height Modification
Width Modification (Only available decreasing by 3" increments)



WARRANTY

LIMITED 1-YEAR WARRANTY

-

HomeView Cabinetry warrants its products to the original purchaser to be free from all defects in material and workmanship under normal use for a period of one year from the original purchase date. Items included in this warranty are cabinet boxes, doors, drawers, shelves, and any accessories that are manufactured by HomeView Cabinetry. Any accessories and other products sold with or as part of any of the above-mentioned products that were not manufactured by HomeView Cabinetry are excluded from coverage by this limited warranty.

WARRANTY LIMITATIONS & EXCLUSIONS

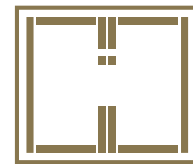
-

This warranty does not cover any misuse, abuse, neglect, improper storage, exposure to moisture or extreme temperatures, improper installation, improper maintenance, or acts of God. The warranty does not apply to items that have been modified from their original form. In addition, this warranty does not cover any wear or deterioration resulting from natural aging, including expansion, contraction, hairline cracks or minor separation of seams. This warranty shall not apply in situations where loading or performance expectations exceed the Kitchen Cabinet Manufacturers Association testing and certification standards. In addition, this warranty does not cover products used in conjunction with HomeView Cabinetry cabinets, such as appliances, counter tops, or plumbing fixtures. No installer, retailer, distributor, or agent has the authority to alter the obligations or limitations in this warranty.

HomeView Cabinetry will not provide or pay for the cost of removal of defective product, transportation and shipping of defective, repaired or replaced product or installation of repaired or replaced product, regardless of whether the work is performed by a contractor, service company, or consumer. If the defective item is discontinued or not available, HomeView Cabinetry reserves the right to replace the item with the most similar item available at that time. HomeView Cabinetry may require, at its discretion, that the customer submit a clear photo, or that the installer, contractor, or service company view the item being claimed before honoring the warranty. HomeView Cabinetry must be notified in writing, within 90 days after discovering any defect in order to receive limited warranty coverage.

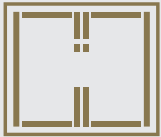
WARRANTY PERFORMANCE

-



HOMEVIEW
CABINETRY

info@homeviewcabinetry.com



HOMEVIEW CABINETRY



ANSI/KCMA A161.1



RESPONSIBLE CABINET MANUFACTURERS ASSOCIATION
FOR ENVIRONMENTAL, SOCIAL AND GOVERNANCE (ESG)
ALL PRODUCTS SUBJECT TO THE PROGRAM'S
FOR ESG PROGRAM CRITERIA. TEST KÖNYÖG